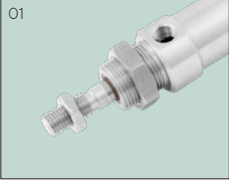
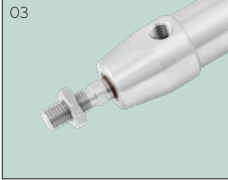
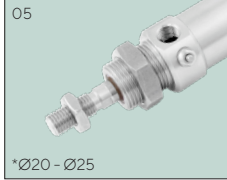
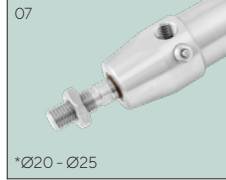


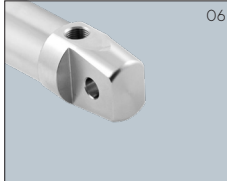



















# Standard cylinder DIN/ISO 6432

Ø12 mm - Ø25 mm | 05-01-2024

## Type overview

Front caps	01 	03 	05  *Ø20 - Ø25	07  *Ø20 - Ø25
	02 	04 	06 	
	08  *Ø20 - Ø25	10  *Ø20 - Ø25	12  *Ø20 - Ø25	

Cylinder accessories	 *Ø25	 *Ø25			
					
					

# Standard cylinder DIN/ISO 6432

Ø12 mm - Ø25 mm | 05-01-2024

**UNIC**  
STAINLESS CYLINDER



## Specifications

Diameter	Ø12 mm - Ø25 mm
Standard	DIN/ISO 6432
Working pressure	3 bar to 10 bar
Temperature	-20°C til +80°C
Standard strokes	10-500 mm

## Materials

Piston rod, Accessories, Cylinder tube, Front and rear caps	AISI 304 / (EN 1.4301)
Piston	POM / Aluminium
Wiper	Nitrile rubber / polyurethane
O-ringe	Viton

## Standard

Magnet for detection
Adjustable end stroke-cushioning (Only Ø20 and Ø25)

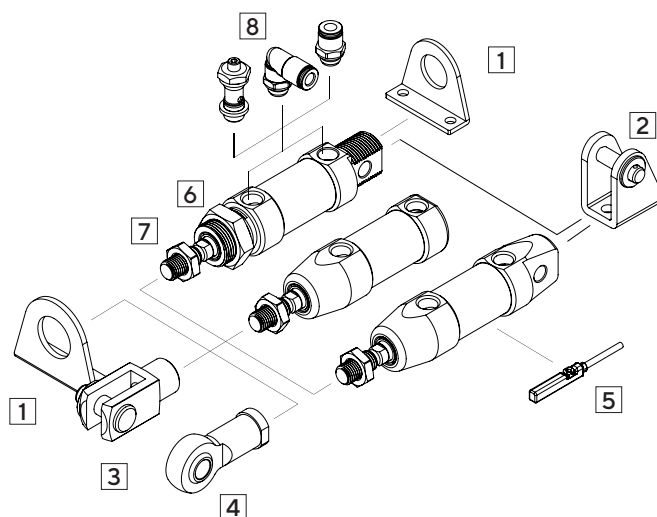
## Options

AISI 316L (EN 1.4404)
ATEX
Cylinder with enhanced chemical resistance
Heat-resistant cylinder max +150°C
Adapter
Spring return or forward
Customized according to request
Renovation / Rep. kit (Page 54)

## Ordering key

Ø25 x 125 mm = **U025 0125 0302C**

<b>Heat-resistant</b> cylinder:	H
<b>Chemical resistant</b> cylinder:	C
Cylinder with <b>adapter</b>	A1 or A2



Accessories	Page ->
1 Foot mounting	41
2 Counter-support 90°	41
3 Rod clevis	40
4 Rod eye	40
5 Reed sensor	48
6 Neck nut	39
7 Piston rod nut	39
8 Fittings	49

## Theoretical cylinder forces given in Newton

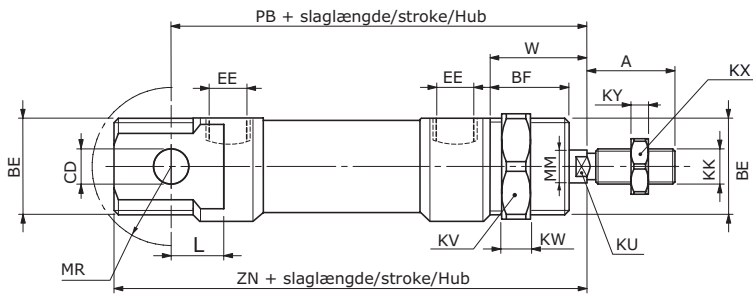
Cyl.Ø	Piston rod Ø	Piston area cm²		3 bar		4 bar		5 bar			
		•	o	•	o	•	o	•	o		
12	6	1,1	0,8	29	22	39	30	48	37		
16	6	2,0	1,7	53	46	70	61	88	76		
20	8	3,1	2,6	82	69	109	92	136	114		
25	10	4,9	4,1	129	108	172	144	216	180		
		6 bar		7 bar		8 bar		9 bar		10 bar	
		•	o	•	o	•	o	•	o	•	o
58	45	68	52	77	60	87	67	97	75		
106	91	123	107	141	122	158	137	176	152		
164	137	191	160	218	183	246	206	273	229		
259	216	302	253	345	289	388	325	421	361		



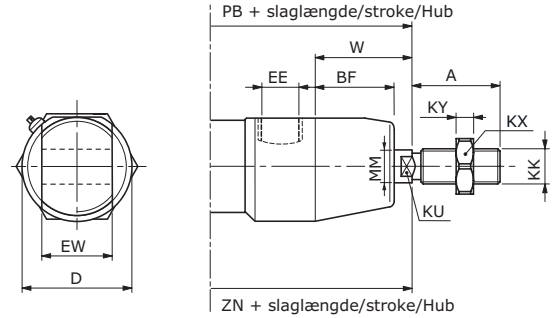
# Standard cylinder DIN/ISO 6432

Technical data | 05-01-2024

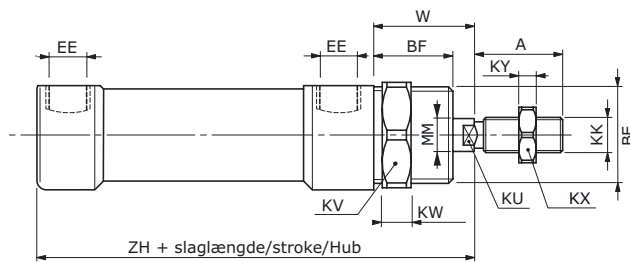
**UNIC**  
STAINLESS CYLINDER



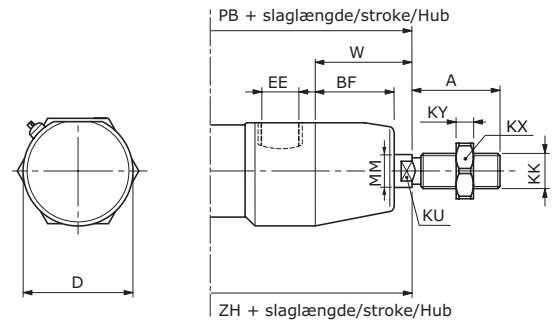
0102/0508



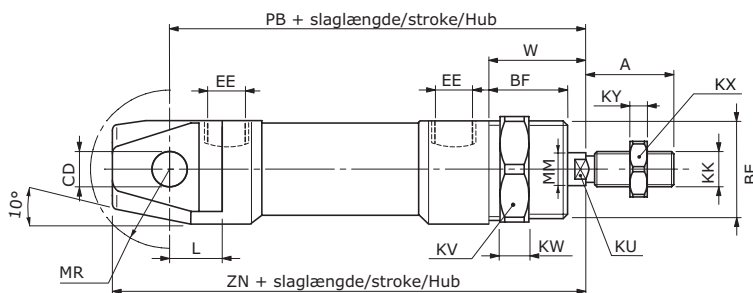
0302/0708



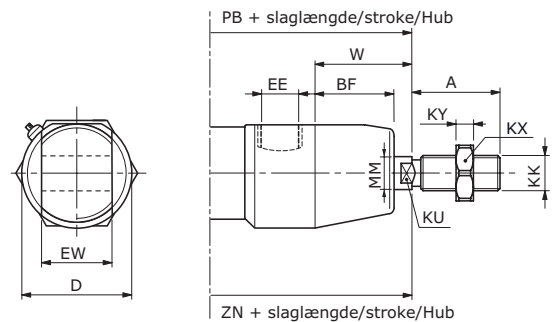
0104/0510



0304/0710



0106/0512



0306/0712

Ø	A	BE	BF	CD	D	EE	EW	KK	KU	KV	KW	KX	KY	L	MM	MR	PB	W	ZH	ZN
12	15	M16x1,5	15	Ø6	20	M5	12	M6	5	24	7	10	5	9	Ø6	12	75	20	69	86
16	16	M16x1,5	16	Ø6	20	M5	12	M6	5	24	7	10	5	9	Ø6	12	82	22	76	92
20	20	M22x1,5	18	Ø8	27	G1/8"	16	M8	6	27	7	13	4	12	Ø8	18	95	24	90	108
25	22	M22x1,5	21	Ø8	30	G1/8"	16	M10x1,25	8	27	7	17	5	12	Ø10	16	104,7	28,5	95,7	116,7

\*Note. All dimensions are with 0.0 mm stroke.